

# RS100 and RS150 SERVICE PARTS

This parts list contains the parts available for the RS100 and the RS150 ice and soda dispensers.

These two models share many components, but not all.

Check the model number, and refer to the correct column list.

Options to the basic model of color, a lighted sign, or valve quantity & brand add to the details that may alter a part number.

Check very carefully that the correct part is ordered.

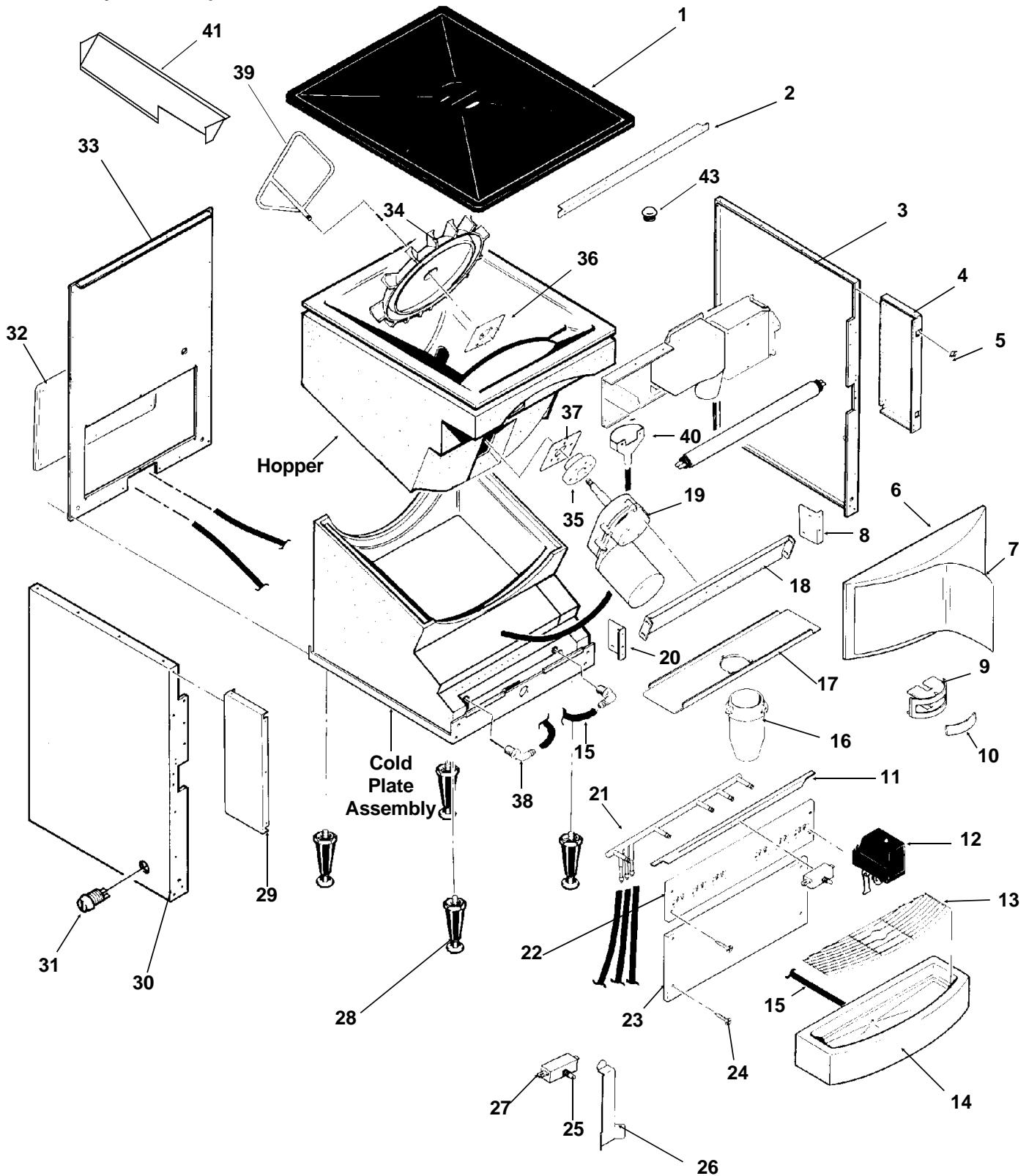
## TABLE OF CONTENTS

MAJOR COMPONENTS . . . . .	PAGE 2
CONTROL BOX . . . . .	PAGE 5
ICE DOOR . . . . .	PAGE 6
WIRING DIAGRAMS . . . . .	PAGE 7

# RS100 and RS150 SERVICE PARTS

## Major Components

Note: The hopper and cold plate assembly are not replaceable.



# RS100 and RS150 SERVICE PARTS

## Major Components

ITEM NUMBER	RS100 PART NUMBER	RS150 PART NUMBER	DESCRIPTION
1	02-3047-02	02-3062-02	Black lid
	02-3047-01	02-3062-01	Gray lid
2	A34788-001	A34789-001	Upper front brace
3	<b>B model panels</b>		
	A35252-003	A35252-003	Right side panel, stainless steel
	A35252-001	A35252-001	Right side panel, painted
4	<b>B model panels</b>		
	A35257-001	A35257-001	Side panel extension, painted
	A35257-004	A35257-004	Side panel extension, stainless steel
5	02-0836-00	02-0836-00	Catch
6	02-3046-06	02-3060-06	Upper front, black, not pushbutton, for light
	02-3046-02	02-3060-02	Upper front, gray, not pushbutton, for light
	02-3046-08	02-3060-08	Upper front, black, pushbutton, for light
	02-3046-04	02-3060-04	Upper front, gray, pushbutton, for light
	02-3084-01	02-3084-01	Turn button for lighted upper front panels, above
7	15-0752-01	15-0754-01	Merch. sign for lighted panel, coke
	15-0752-02	15-0754-02	Merch. sign for lighted panel, pepsi
	15-0752-03	15-0754-03	Merch. sign for lighted panel, generic RS
8	A34784-002	A34784-002	Right side bracket
9	02-3071-01	02-3071-01	Bezel for Ice Switch Button
10	02-3072-01	02-3072-01	Button
	02-3096-02	02-3096-02	Return spring for push button
11	A34799-001	A34800-001	Switch bracket for push button models
12	11-0468-01	11-0468-01	<b>Pre-mix valve (Capre)</b> . Post Mix listed below

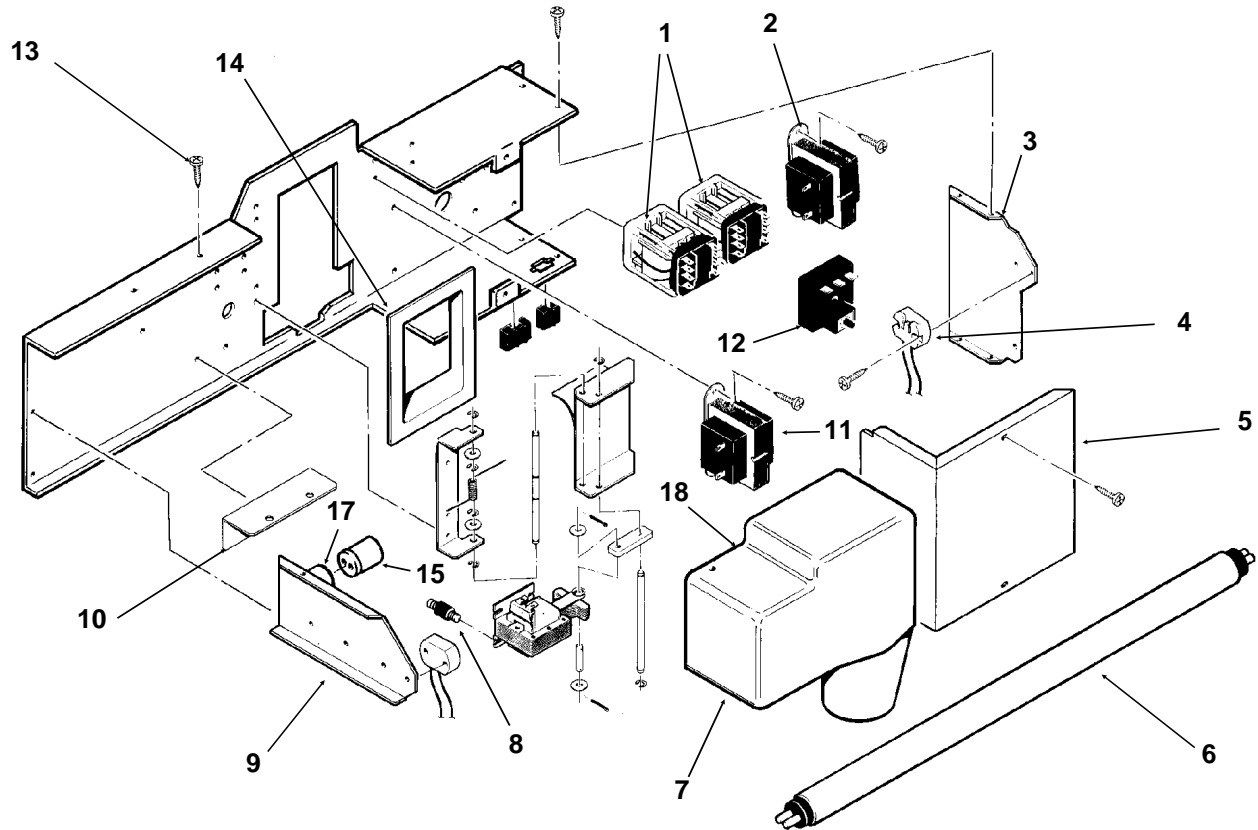
Post Mix Valve Part Number	Brand	Standard Flow	Fast Flow	Soda Control	Water Disp?	Lever	Push Button
11-0462-01	Dole	x				x	
11-0452-01	Dole	x					x
11-0453-01	Dole		x			x	
11-0455-01	Dole		x				x
11-0451-01	Dole	x			x		
11-0454-01	Dole		x		x		
A33171-001	Cornelius	x				x	
11-0457-01	Cornelius		x			x	
11-0456-01	Cornelius	x					x
11-0459-01	Cornelius		x				x
A33170-001	Cornelius	x			x		
11-0458-01	Cornelius		x		x		
A34106-001	Booth	x				x	
11-0460-01	Booth		x			x	
A34107-001	Booth	x			x		
11-0461-01	Booth		x		x		
11-0469-01	McCann	x		Metering stem		x	
11-0469-03	McCann		x	Mechanical		x	
11-0469-05	McCann	x		Flow washer		x	
11-0469-09	McCann	x		Metering stem			x
11-0469-11	McCann		x	Mechanical			x
11-0469-15	McCann		x	Mechanical		x	

# RS100 and RS150 SERVICE PARTS

## Major Components

ITEM NUMBER	RS100 PART NUMBER	RS150 PART NUMBER	DESCRIPTION
13	02-3078-01	02-3080-01	Grill
14	02-3048-02	02-3076-02	Black Sink
	02-3048-01	02-3076-01	Gray sink
15	13-0674-13	13-0674-13	Drain tube 5/8" ID (1 unit = 1 ft.)
	13-0674-07	13-0674-07	Drain tube 3/4" ID (1 unit = 1 ft.)
16	02-3068-01	02-3068-01	Ice Chute
	02-3068-02	02-3068-02	Ice Chute when using Dole valves
17	A34797-001	A34798-001	Panel for ice chute
18	A34786-001	A34787-001	Mounting Bracket
19	12-2369-01	12-2369-01	Gearmotor Assembly
20	A34784-001	A34784-001	Left side bracket
21	02-3085-01 (6)	02-3087-01 (8)	Manifold for Dole
		02-3086-01	Manifold for Dole (6 valve RS150)
		02-3086-02	Manifold for other valves (6 valve RS150)
22	02-3085-02 (6)	02-3087-02 (8)	Manifold for other valves
	A34794-001	A34795-001	Valve panel - lever model w/6 non-Booth valves
	A34794-002	A34795-005	Valve panel - lever model w/8 non-Booth valves
	A34794-003	A34795-002	Valve panel - push btn model w/6 non-Booth valves
		A34795-006	Valve panel - push btn model w/8 non-Booth valves
		A34795-003	Valve panel - lever model with 6 Booth valves
	A34794-004	A34795-007	Valve panel - lever model with 8 Booth valves
		A34795-004	Valve panel - push button model w/6 Booth valves
		A34795-008	Valve panel - push button model w/8 Booth valves
23	A35255-001	A35256-001	B model Splash panel
24	03-1419-22	03-1419-22	Screw
25	12-2372-01	12-2372-01	Boot for microswitch
26	A34806-001	A34806-001	Lever "Push for Ice" lever models only
27	12-1570-00	12-1570-00	Microswitch
28	02-3124-01	02-3124-01	Leg kit
29	<b>B model panels</b>		
	A35257-001	A35257-001	Side panel extension, painted
	A35257-004	A35257-004	Side panel extension, stainless steel
30	<b>B model panels</b>		
	A35252-004	A35252-004	Left side panel, stainless steel
	A35252-002	A35252-002	Left side panel, painted
31	12-2391-01	12-2391-01	Switch & Lock & Key
32	A34783-001	A34783-001	Access Panel, painted
	A34783-002	A34783-002	Access Panel, Stainless Steel
33	A35253-001	A35254-002	B model Back panel, stainless steel
	A35253-002	A35254-001	B model Back panel, painted
34	02-3040-01	02-3040-01	Rotor
35	A34760-001	A34760-001	Hub Assembly (includes bearing 02-3075-01 and seal 02-3065-01)
36	A34810-001	A34810-001	Mounting plate, hub
37	A34817-001	A34817-001	Gearmotor plate
38	no number	no number	Threaded elbow
39	A36846-002	A36846-002	Sweep Arm
40	02-3102-01	02-3102-01	Funnel
41	-	A34985-001	Ice Diverter
	-	02-3911-01	Thumb screw for diverter
42	A34922-001	A34923-001	Wire shield (not shown)
43	02-3418-01	02-3418-01	Drain top

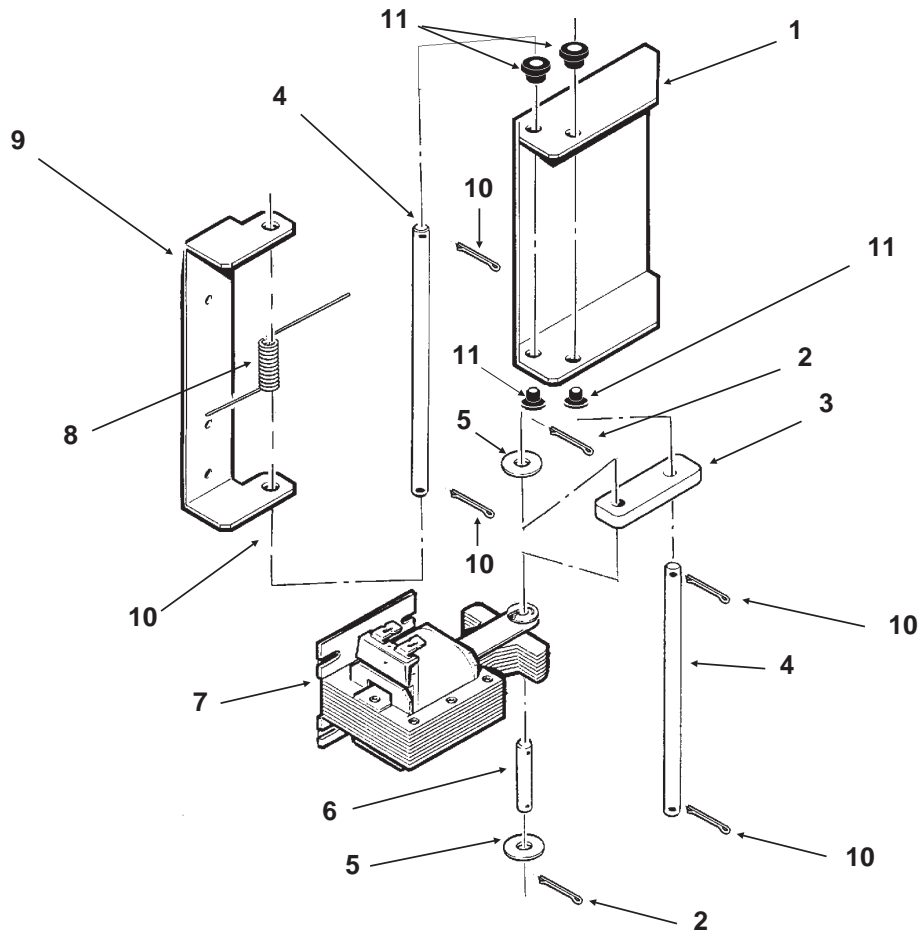
# RS100 and RS150 SERVICE PARTS



ITEM NUMBER	PART NUMBER	DESCRIPTION
1	12-2090-02	Relay "A" or "B" up to serial number: RS100, 387227-08K; RS150, 369007-06X.
	12-2483-01	Relay after the above & up to serial number: RS100, 601839-07L; RS150, 601868-07L
	12-2483-02	Relay after the above serial numbers
2	12-2390-01	Transformer
3	A34889-001	Right bracket
4	12-2385-01	Bulb Holder
5	A34803-001	Control Box Cover
6	12-2377-01	RS100 Fluorescent Tube (15 watt -18")
	12-2377-02	RS150 Fluorescent Tube (16 watt - 26")
7	02-3067-01	Cover
8	13-0882-01	Rubber Mounts
9	A34890-001	Left light bracket
10	A34873-001	Angle Bracket
11	12-2390-01	Transformer
12	12-2371-01	Recycling Timer
13	03-0727-06	Thumb Screw
14	02-3188-20	Spout Adaptor Assy. kit
15	12-2386-01	Starter
16	12-2380-01	Ballast (not shown) up to serial numbers: RS100, 601839-07L; RS150, 601868-07L
	12-2484-01	Ballast after the above serial numbers
17	12-2395-01	Starter Socket
18	A34920-001	Solenoid Cover (not shown)
19	13-0595-00	Door Gasket, 5.5"

# RS100 and RS150 SERVICE PARTS

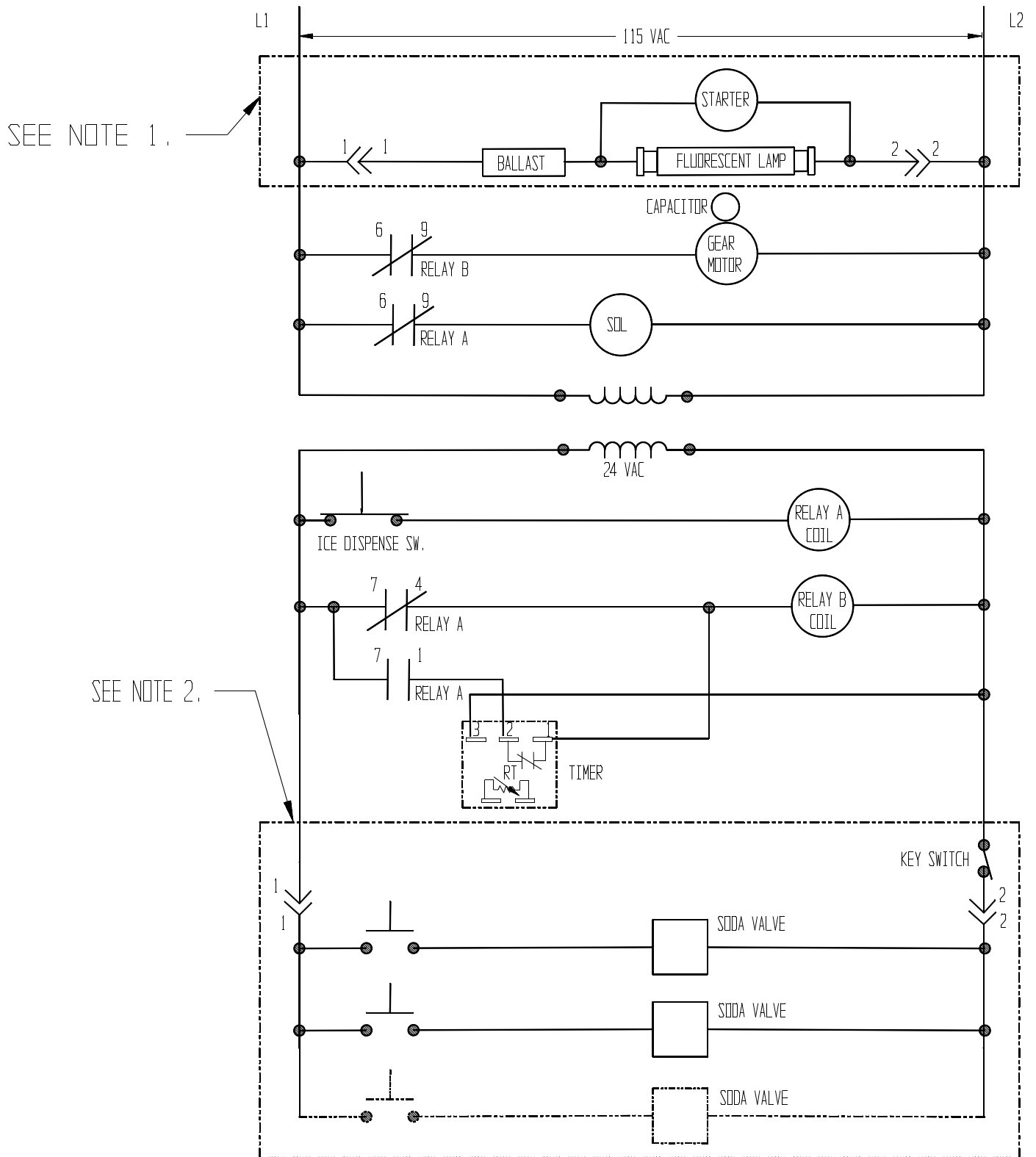
## Ice Door And Solenoid Assembly



ITEM NUMBER	PART NUMBER	DESCRIPTION
1	A34801-001	Ice Door
2	03-0396-01	Cotter Pin
3	02-3089-01	Solenoid link, for use without bushings
	02-3089-02	Solenoid Link for use with plastic bushings
	02-3187-01	Plastic bushing, used inside solenoid link 02-3089-02
4	02-3088-01	Long axle
5	03-1407-02	Flat Washer
6	A32685-001	Axle, Linkage
7	A32683-001	Solenoid
8	A32690-001	Door Spring
9	A34802-001	Door Hinge
10	03-0396-08	Cotter Pin
11	02-3187-01	Bushing

# RS100 and RS150 SERVICE PARTS

## Schematic Diagram



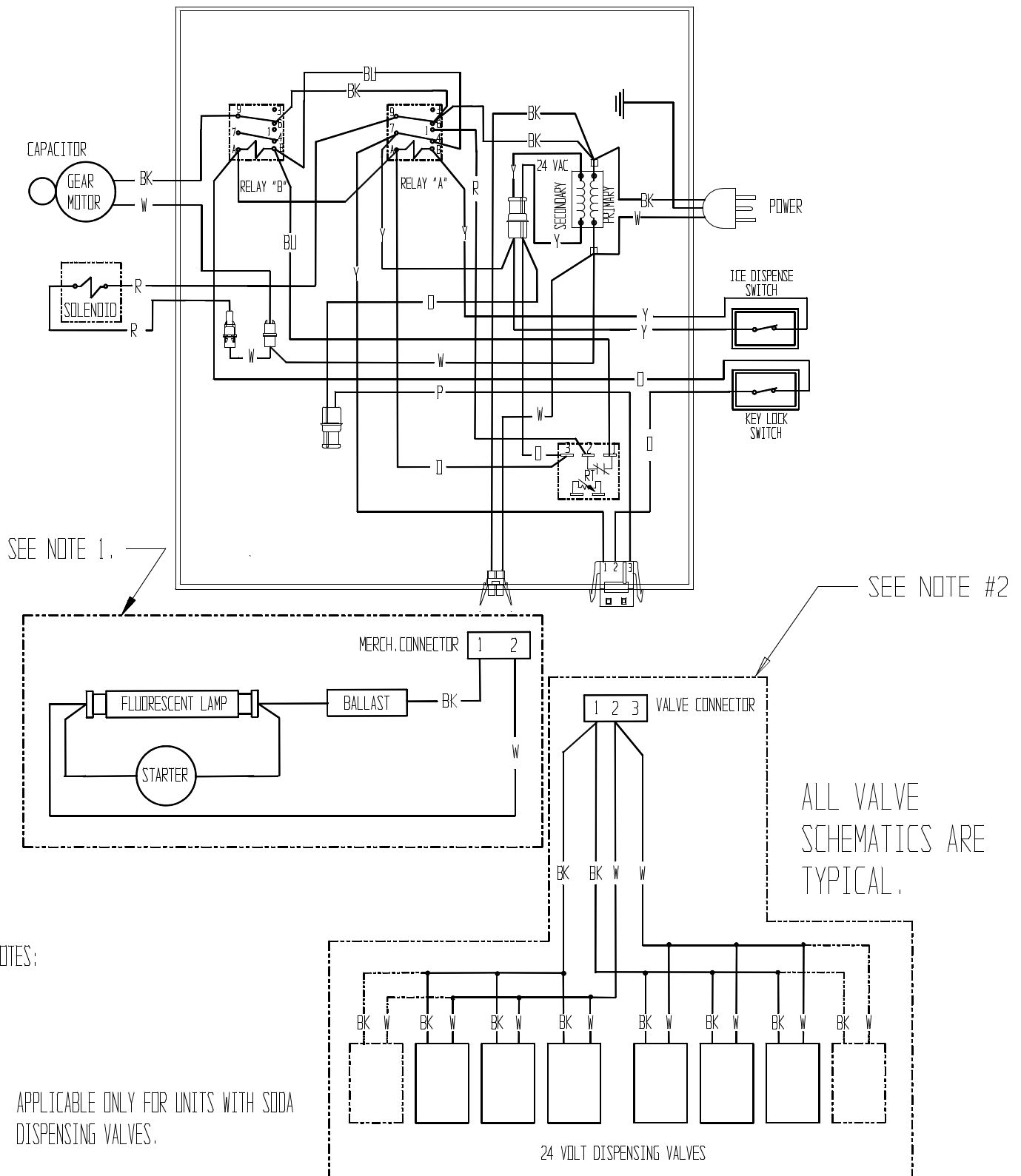
USE COPPER CONDUCTORS ONLY THIS UNIT MUST BE GROUNDED

# RS100 and RS150 SERVICE PARTS

## Component Layout Diagram

A34905-001

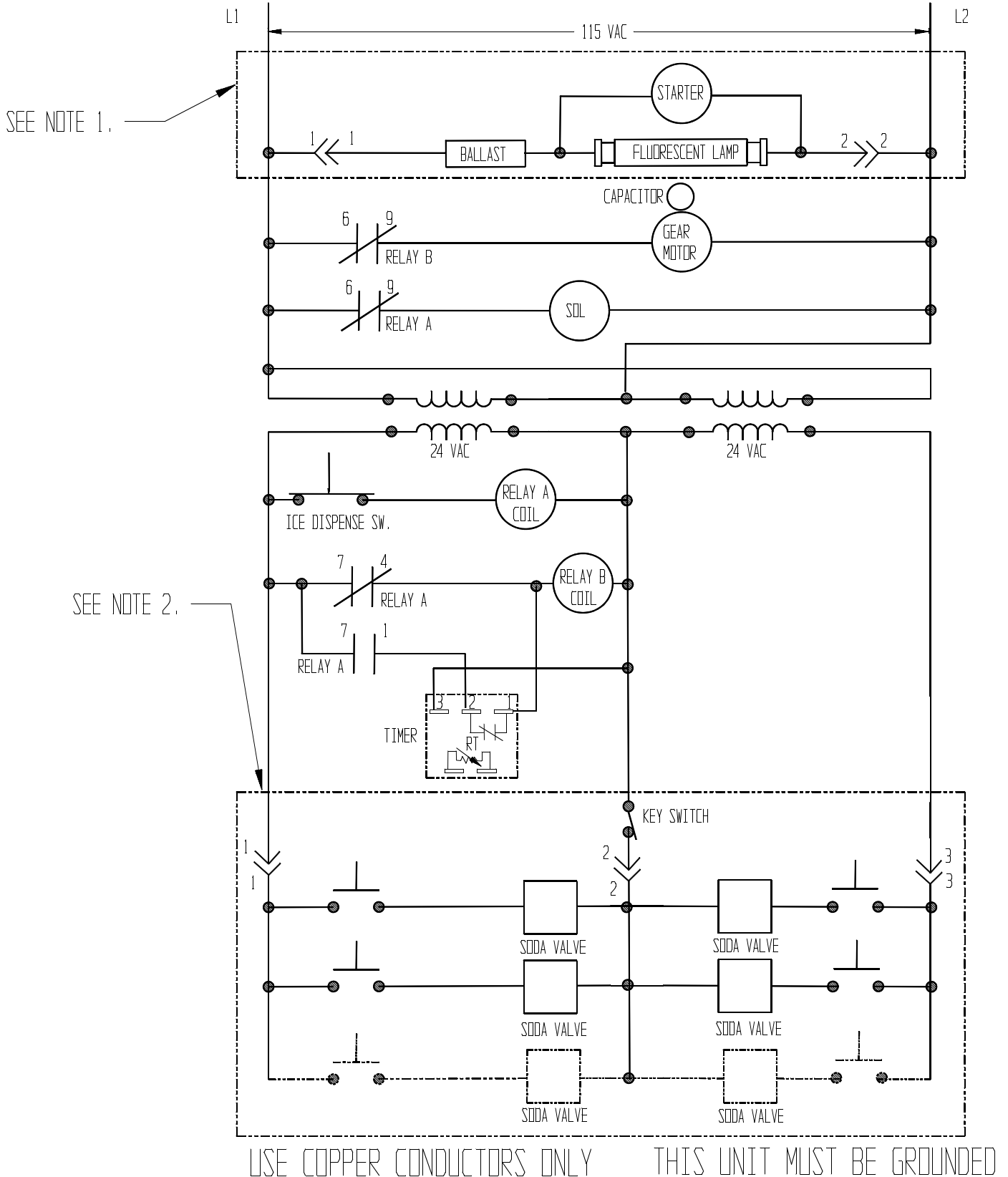
SEE NAMEPLATE FOR PROPER VOLTAGE REQUIREMENTS AND MAXIMUM FUSE SIZE.





# RS100 and RS150 SERVICE PARTS

## Schematic Diagram for Dole Fast Flow Valves

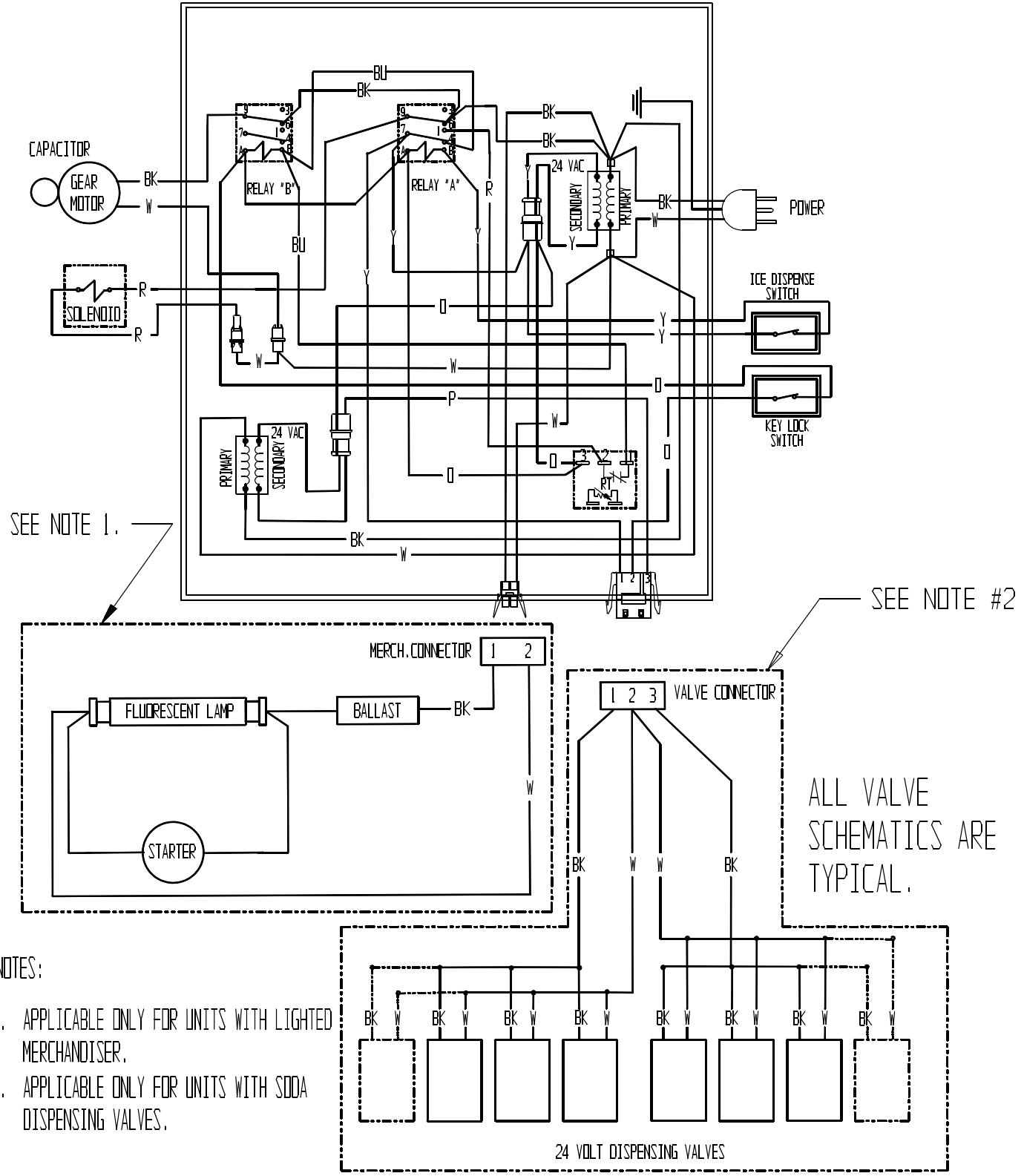


# RS100 and RS150 SERVICE PARTS

## Component Layout Diagram For Dole Fast Flow Valves

A34906-001

SEE NAMEPLATE FOR PROPER VOLTAGE REQUIREMENTS AND MAXIMUM FUSE SIZE.



SEE NOTE 1.

SEE NOTE #2

**NOTES:**

1. APPLICABLE ONLY FOR UNITS WITH LIGHTED MERCHANDISER.
2. APPLICABLE ONLY FOR UNITS WITH SODA DISPENSING VALVES.